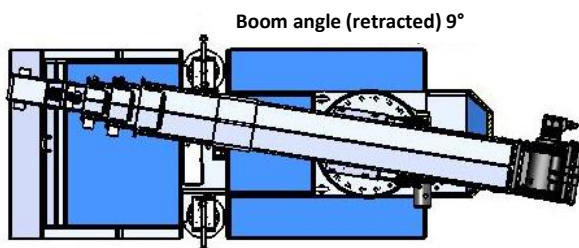
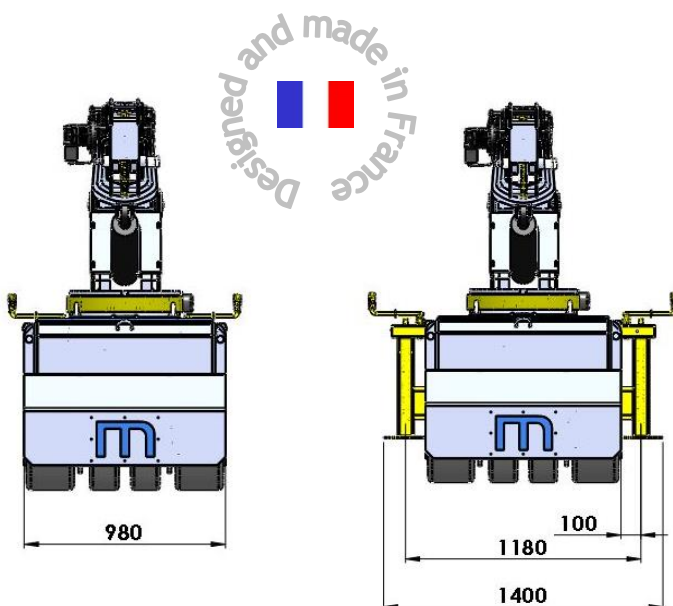
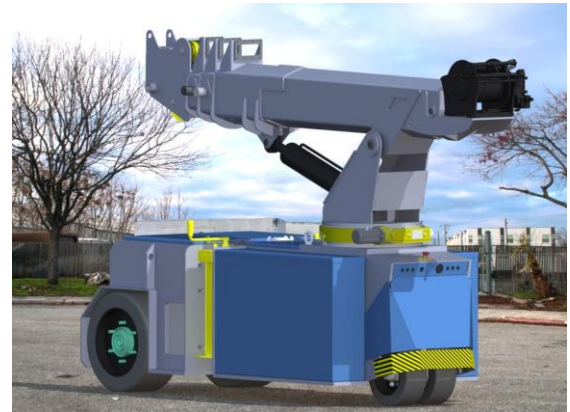
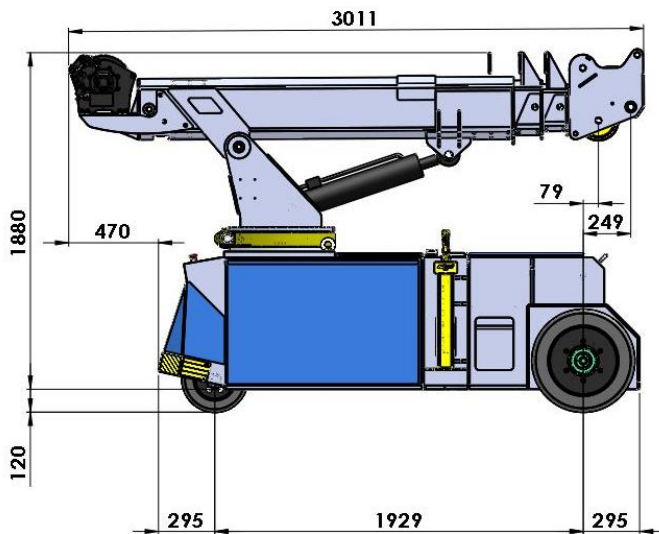


# Technical sheet 32MS 4x2 R

Self-propelled, pedestrian-operated "All Terrain" mini-crane

2 pages

Updated 28/09/2018



## Technical specifications

Max. load .....	3,200 kg
Unladen weight (in operation)(WITH options).....	3,100 kg
Permissible gradient (unladen) .....	22%
Max. translation speed .....	3 km/h
Adjustable lifting speed .....	0 to 15 cm/s
Adjustable telescoping speed .....	0 to 13 cm/s
Batteries .....	48 V – 500 Ah
Pump unit 48 VDC, silent, .....	8 kW
Ø front wheels (mm) .....	533 x 228 mm
Ø rear wheel (mm) .....	343 x 140 mm

## Standard equipment

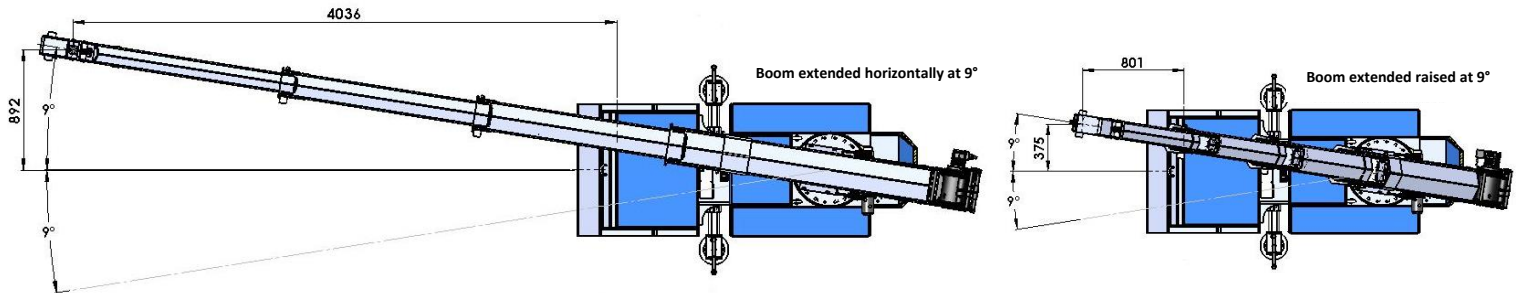
- Anti-tipping device
- 2 hydraulic drive wheels
- Non-marking solid rubber wheels
- Hydraulic telescopic boom
- 180° hydraulic steering
- Automatic hydraulic braking
- Automatic hydraulic parking brake
- On-board 220V~ electronic battery charger
- Back-up wired remote control with potentiometer
- Proportional radiocontrol with 3 joysticks
- 2 storage compartments

## Main options

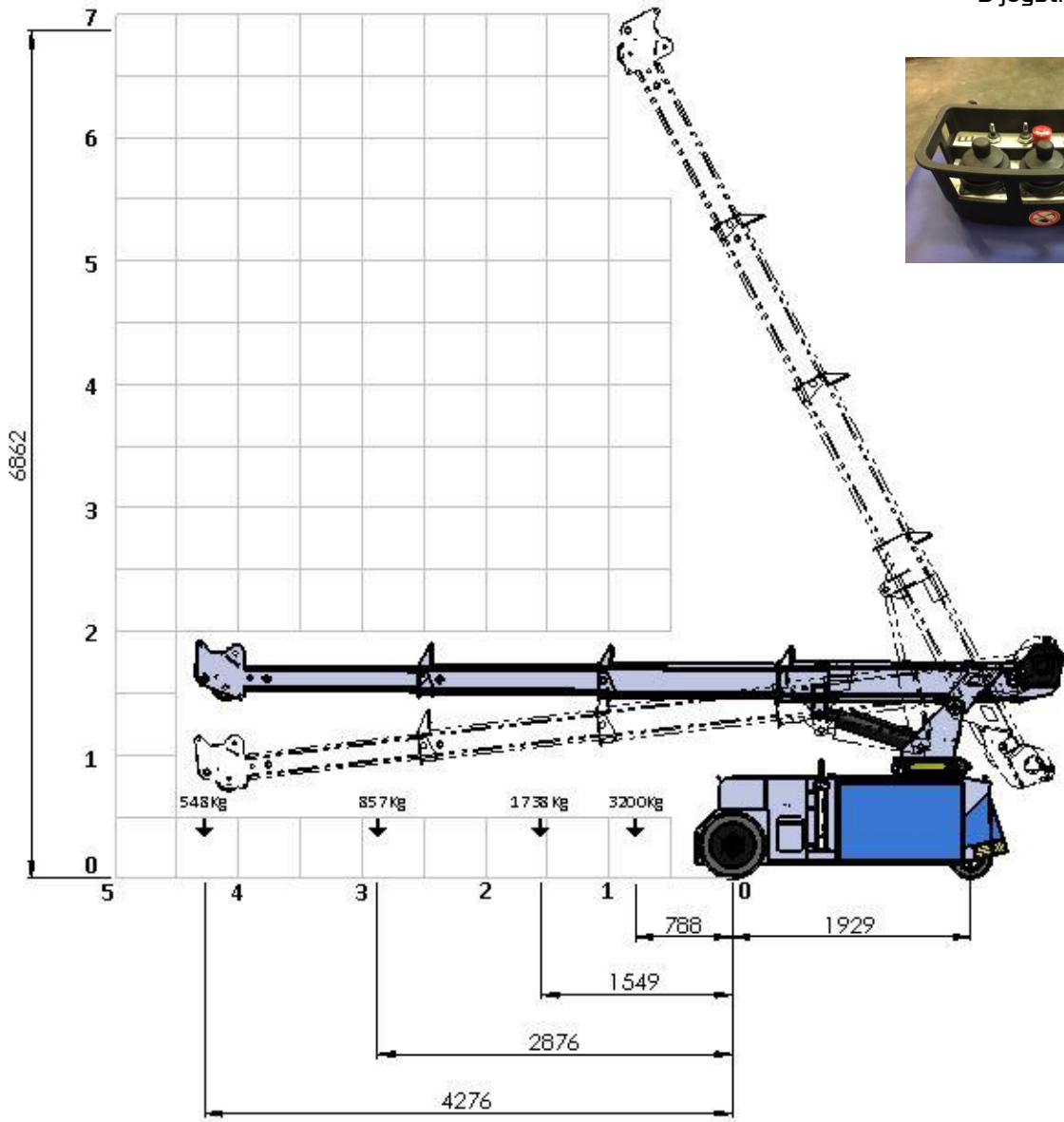
- Hydraulic winch, 1600 kg/3200 kg (with rigging)
- Hydraulic 18° slewing ring
- Side safety legs

# Technical sheet 32MS 4x2 R

Self-propelled, pedestrian-operated "All Terrain" mini-crane



**Projected load diagram:**



Proportional radiocontrol  
3 joysticks

