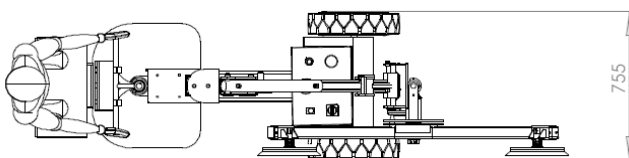
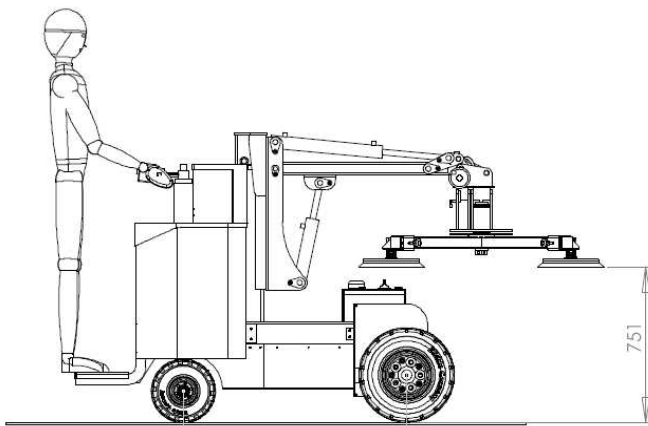
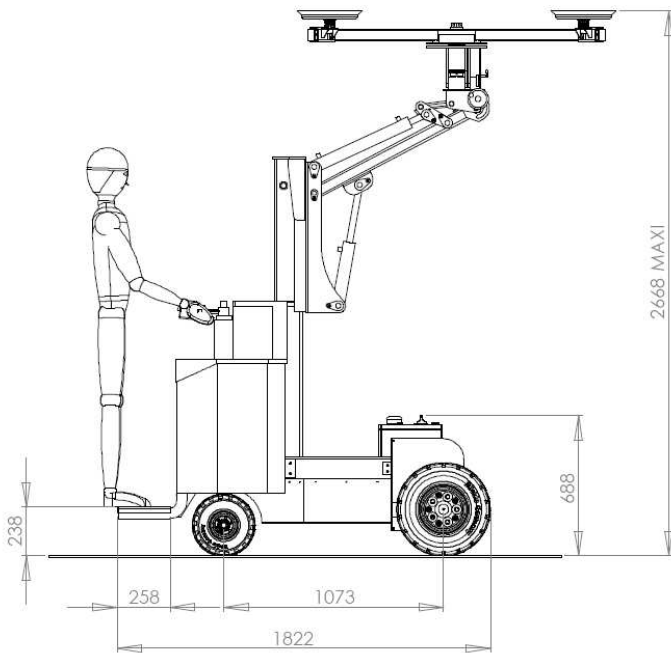


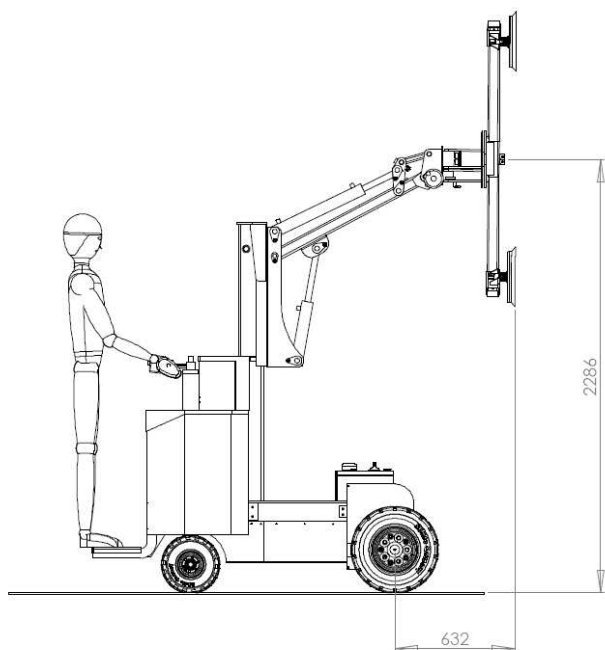
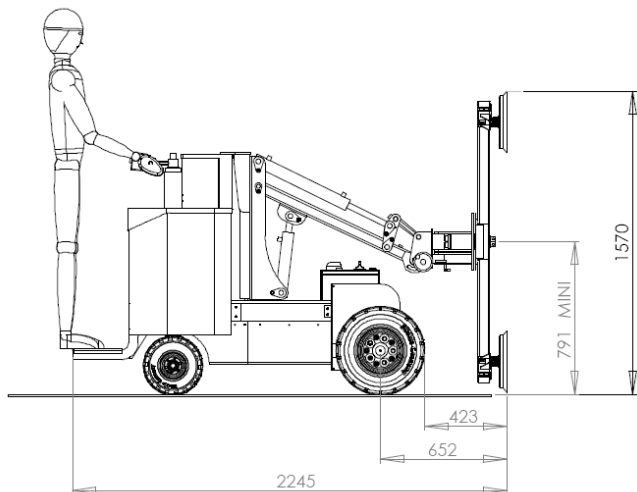
Updated October 18th 2012



Technical specifications

| | |
|--------------------------------------|--------------|
| Maximal load | 350 kg |
| Unladen weight (Full options) | 610 kg |
| Traction batteries | 24V – 110 Ah |
| Hydraulic power station engine | 2 kW |
| Translation power engine..... | 0,6 kW |
| Unladen admissible slope | 15 % |

(*) Mini-crane created and made by Mobilev, vacuum lifting beam created and made by Axitec



Standard equipment

- Vertical hydraulic mast 700 mm stroke
- Vacuum lifting beam with 180 ° hydraulic tilt
- Electric front wheel drive with differential gear
- Brake-operated
- Automatic, electric or manual disconnection of the brake
- Tiller with accelerator
- Folding operator platform
- Vacuum lifting beam (360 ° continuous manual rotation)
- Vacuum reserve and alarm
- Vacuum pump securely with automatic restart
- Remote pick and place
- Hour meter and battery charge indicator
- Charger board electronic
- Tyre puncture-proof wheels Full Flexible
- buzzer
- Axes slinging
- Hydraulic & electric safety devices