



ZHEJIANG HANGCHA IMP. & EXP. CO., LTD.

Factory site: 666 Xiangfu Road,
Hangzhou, Zhejiang, China (311305)

Tel: +86-571-88926735 88926755
Fax: +86-571-88926789 88132890

sales@hcforklift.com
www.hcforklift.com



Follow us on
Facebook



Follow us on
YouTube



Follow us on
WeChat



ISO14001
ISO14001:2015



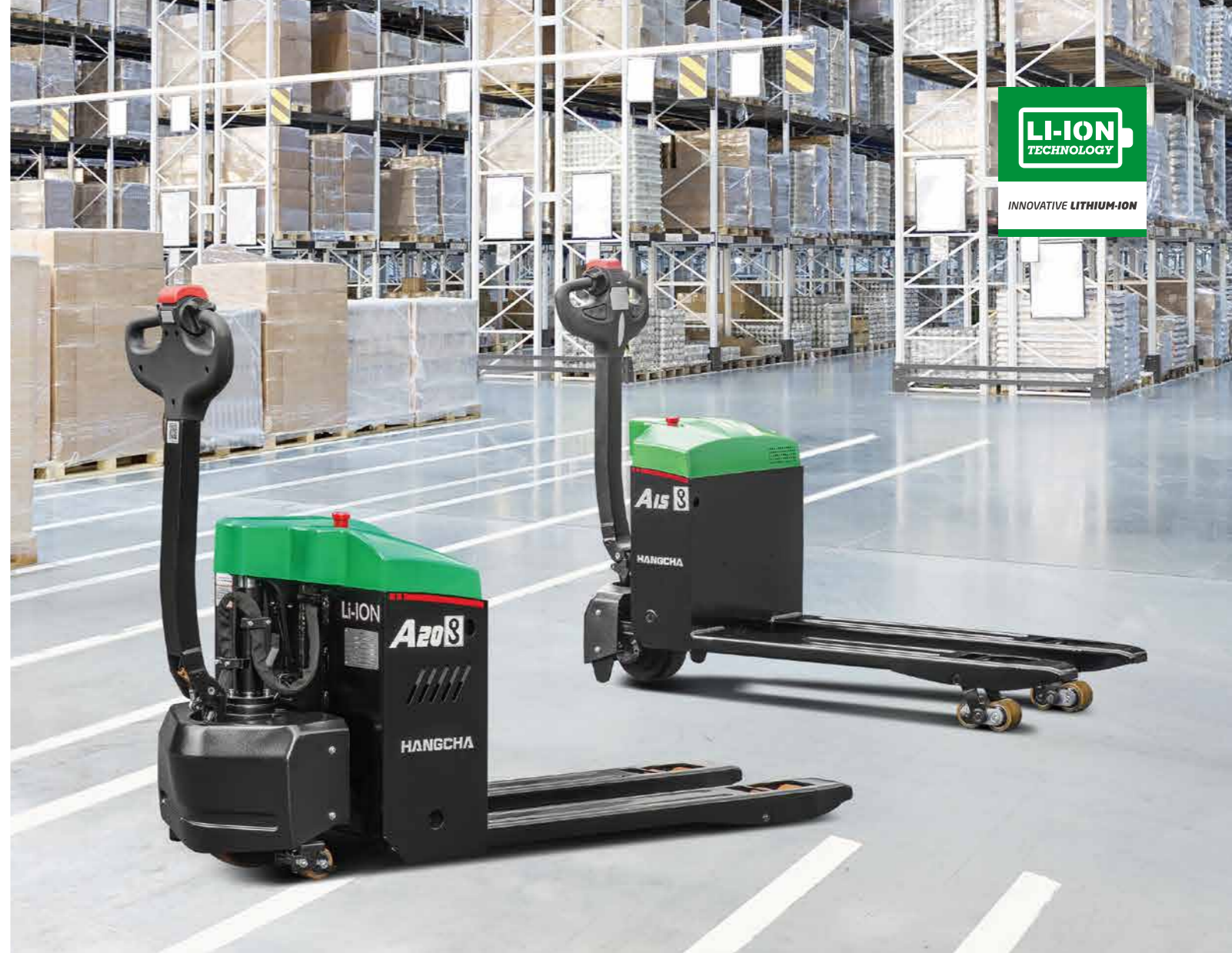
ISO9001
ISO9001:2015



HANGCHA trucks conform
to the European Safety
Requirements.

2018 VERSION 1 / COPYRIGHT 2018/12

HANGCHA GROUP CO., LTD. reserves the right to make any changes without notice concerning colors, equipment, or specifications detailed in this brochure, or to discontinue individual models. The colors of trucks, delivered may differ slightly from those in brochures.



A series Mini Walkie Pallet Truck / Li-Ion

with capacities of 1,500/2,000kg

The World of Hangcha



A series Mini Walkie Pallet Truck / Li-Ion

The A Series 1.5t & 2t Mini Lithium-ion Pallet Trucks are new generation of products developed by Hangcha for warehouse and logistics applications. They feature fast charging, advanced performance, comfortable operation, safety, reliability and low maintenance cost with the Li-Ion technology.

The trucks are ideal tool for loading, unloading, and handling palletized goods in warehouses, supermarkets, workshops and homes.

Easy/ Efficiency/ Economy

Appearance

- / The A Series 1.5t & 2t Mini Lithium-ion Pallet Trucks are completed with specialized industrial design of appearance. The trucks feature smooth lines and affluent sense of movement, and compact profile, with full consideration being given to ergonomics, in accord with the latest appearance design trend.
- / They are manufactured with a large number of steel plate stamping and injection molding technologies, featuring solidness, durability, and high grade, in compliance with environmental requirements.



High Performance

- / With strong power, they can satisfy the handling demand of most customers, with 6h battery life.
- / With permanent magnet travel motor, they feature excellent performance and low heat emission.
- / The latest CURTIS permanent magnet control system offers excellent, high-efficiency, and stable control performance.
- / Regenerative brake of the pallet truck prevents it from sliding on a slope.
- / Their controllers, hydraulic power packs, switches, plug connectors, and other important parts are all of renowned domestic and abroad brands.
- / The battery can be fully charged in 2 hours thanks to the fast charging technology, and life of battery cells is up to 1200 cycles.
- / High-quality and high rate battery cells, with lattice tandem & parallel combination technology, offer excellent performance.

Comfort

- / Truck structure of optimized design guarantees terrific operating view of the truck.
- / With small sizes, the operation is easy, flexible and extremely convenient, and the upright-tiller running function allows it to work within confined space, such as container.
- / Standard height of fork is 80mm, and guiding device is added to facilitate access and exit of pallets (including closed-deck pallets).
- / The battery can be removed from truck side, and features small volume and light weight, and can be replaced easily and quickly;
- / Charging can be completed without removing the battery out from the truck.

Reliability

- / The three-point support design is applied, and side support system is provided to guarantee safety and stability.
- / With optimized design, and lifting rod is steady and reliable, bearing small force.
- / All plug connectors are all waterproof, and all wires and cables have reliable protection, which increases reliability of electrical system significantly.
- / The cutting-edge hydraulic power unit features low noise, small vibration, and stable and reliable rising and declining.
- / Stamping molded fork has higher strength and impact resistance, with even higher working efficiency by working together with the fork-tip guiding function.
- / The interlock switch is of non-contact proximity switch, with extremely high reliability.
- / One-piece iron wheel hood offers good protection to truck body against external impact.
- / The built-in safety protection system of the battery can monitor voltage, temperature, and current of the battery in real time, and guarantee that the battery works safely.
- / The battery is placed inside the chassis, which can prevent the battery from damage because of impact.



Easy for exchanging battery



The upright-tiller running function allows it to work within confined space, such as container



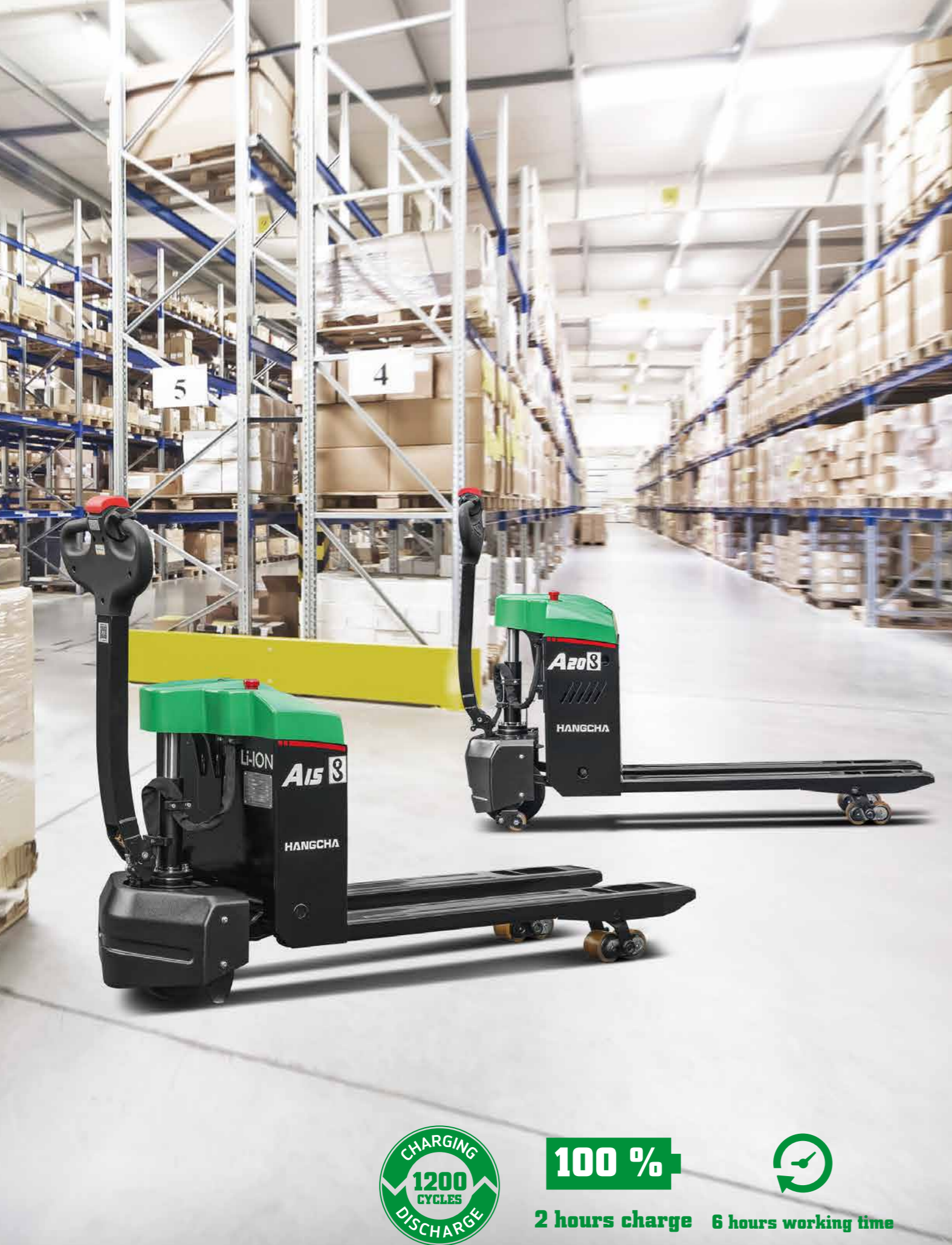
The modular tiller is simple but reliable and beautiful, all parts inside it can be replaced separately and all operations can be done easily with one hand



Body feature smooth lines and affluent sense of movement, and compact profile, in accord with the latest appearance design trend



The charger has compact body and is easy for carry



100 %

2 hours charge 6 hours working time



Safety

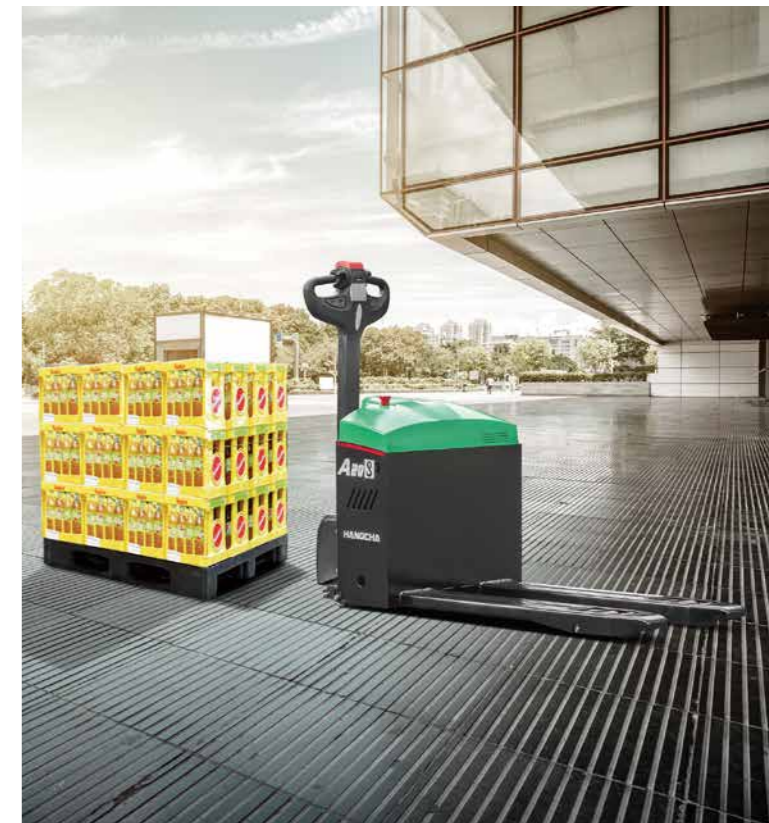
- / Release braking, reverse braking, and emergency braking can ensure safety of traveling;
- / Anti-sliding function on slope can ensure safety of operation.
- / The emergency reversing button at top of the tiller can avoid the driver from injury effectively in case of emergency during backward driving of the truck;
- / Dual protection with electronic lifting limit and smart controller limit of standard configuration avoids impact when fork is lifted to top end of mast, offers effective protection to working motor, and guarantees safety of goods.
- / The truck goes into sleep mode automatically after 30-min standby, which is safe and energy efficient.

Maintenance

- / Battery indicator will prompt the user to charge the battery timely.
- / Engine cover can be opened fully, and all components and parts are clear at a glance, which is very convenient for maintenance of the entire machine.
- / All rotating shafts are equipped with lubricating sleeve and oil cup, which is convenient for maintenance and has a long service life.

Standard Specification

- / Permanent magnet brushless drive motor (2.0t)
- / Permanent magnet drive motor (1.5t)
- / Emergency power off switch
- / Battery meter
- / PU wheels
- / Fork length 1150mm
- / Outer distance of forks 560mm
- / Electronic lifting limit
- / Non-contact interlock switch
- / Modular tiller
- / Electric horn
- / High-performance lithium-ion battery
- / Upright-tiller creep speed running
- / Guide fork for closed-deck pallets
- / Auxiliary wheels (2.0t)
- / Double load wheels
- / Fast charging
- / Automatic sleep function



Options

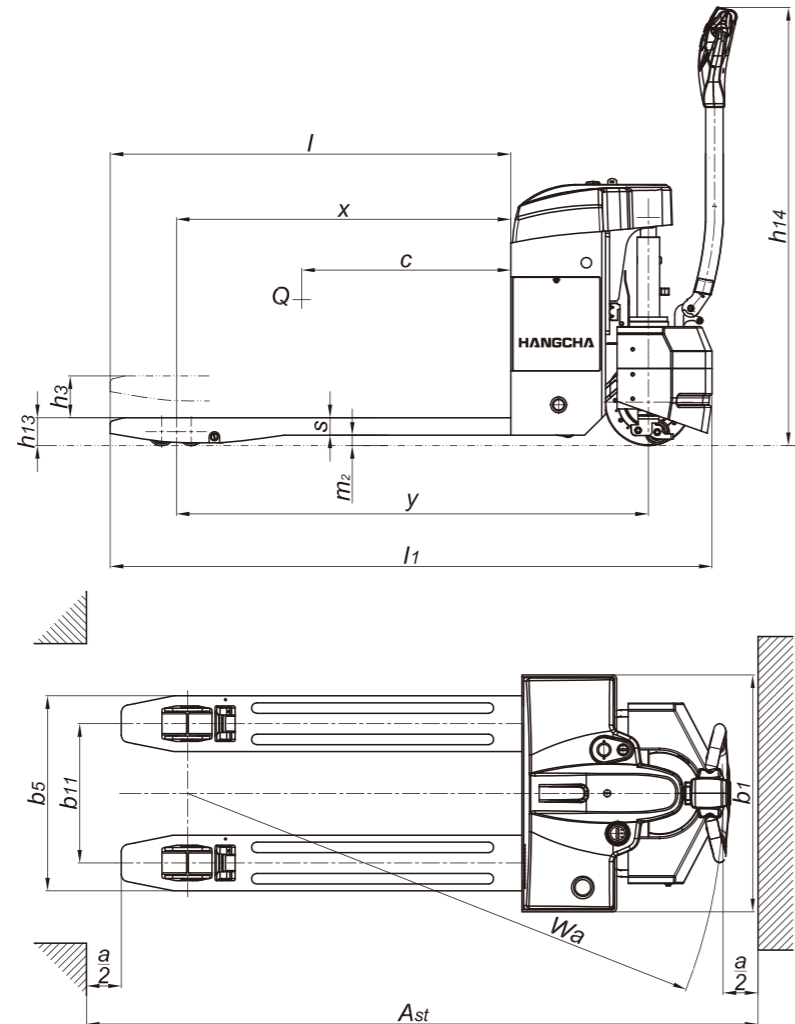
- / Alternative fork lengths and widths
- / Single load wheel
- / PIN lock
- / 75mm distance from fork surface to ground



A series 1.5t Mini Walkie Pallet Truck / Li-Ion

Distinguishing mark	1.1	Manufacturer		HANGCHA GROUP CO.,LTD.	
	1.2	Manufacturer's type designation		CBD15-AMC1-I	
	1.4	Operator type: hand, pedestrian, standing, seated, order-picker		Pedestrian	
	1.5	Rated capacity/rated load	Q (kg)	1500	
	1.6	Load centre distance	c (mm)	600	
	1.8	Load distance, centre of drive axle to fork	x (mm)	950	
Weight	2.1	Service Weight(Including battery)	kg	190	
Tyres, chassis	3.1	Tyres: solid rubber, superelastic, pneumatic, polyurethane		PU	
	3.2	Tyre size, front		Φ210x70	
	3.3	Tyre size, rear		2×Φ80x64	
	3.4	Additional wheel (dimensions)		/	
	3.5	Wheels, number front / rear (x = driven wheels)		1x/4	
	3.6	Tread, front	b ₁₀ (mm)	/	
	3.7	Tread, rear	b ₁₁ (mm)	400	
Dimensions	4.4	Lift	h ₃ (mm)	120	
	4.15	Fork height, lowered	h ₁₃ (mm)	80	
	4.19	Overall length	l ₁ (mm)	1669	
	4.21	Overall width	b ₁ (mm)	568	
	4.22	Fork dimensions	s/e/l (mm)	50/160/1150	
	4.25	Distance between fork-arms	b ₅ (mm)	560/680	
	4.32	Ground clearance, centre of wheelbase	m ₂ (mm)	30	
4.35	Turning radius	Wa (mm)	1400 ¹⁾		
Performance data	5.1	Travel speed, laden/unladen	km/h	4.5/4.9	
	5.2	Lift speed, laden/unladen	m/s	0.05/0.06	
	5.3	Lowering speed, laden/unladen	m/s	0.04/0.045	
	5.8	Max Gradeability, laden/unladen	%	6/15	
Electric engine	6.1	Drive motor rating S2 60 min	kW	0.65	
	6.2	Lift motor rating at S3 15%	kW	0.8	
	6.4	Battery voltage, rated capacity	V/Ah	24/40	
	8.1	Type of drive control		DC	
	9.1	Manufacturer		Curtis	

Note: 1). When fork lowered, +60mm



A series 2.0t Mini Walkie Pallet Truck / Li-Ion

Distinguishing mark	1.1	Manufacturer		HANGCHA GROUP CO.,LTD.	
	1.2	Manufacturer's type designation		CBD20-AMC1-I	
	1.4	Operator type: hand, pedestrian, standing, seated, order-picker		Pedestrian	
	1.5	Rated capacity/rated load	Q (kg)	2000	
	1.6	Load centre distance	c (mm)	600	
	1.8	Load distance, centre of drive axle to fork	x (mm)	960	
Weight	2.1	Service Weight(Including battery)	kg	270	
Tyres, chassis	3.1	Tyres: solid rubber, superelastic, pneumatic, polyurethane		PU	
	3.2	Tyre size, front		Φ250x80	
	3.3	Tyre size, rear		2×Φ80x64	
	3.4	Additional wheel (dimensions)		Φ70x40	
	3.5	Wheels, number front / rear (x = driven wheels)		1x+2/4	
	3.6	Tread, front	b ₁₀ (mm)	432	
	3.7	Tread, rear	b ₁₁ (mm)	400	
Dimensions	4.4	Lift	h ₃ (mm)	120	
	4.15	Fork height, lowered	h ₁₃ (mm)	80	
	4.19	Overall length	l ₁ (mm)	1728	
	4.21	Overall width	b ₁ (mm)	680	
	4.22	Fork dimensions	s/e/l (mm)	50/160/1150	
	4.25	Distance between fork-arms	b ₅ (mm)	560/680	
	4.32	Ground clearance, centre of wheelbase	m ₂ (mm)	30	
4.35	Turning radius	Wa (mm)	1482 ¹⁾		
Performance data	5.1	Travel speed, laden/unladen	km/h	4/5.5	
	5.2	Lift speed, laden/unladen	m/s	0.027/0.040	
	5.3	Lowering speed, laden/unladen	m/s	0.042/0.038	
	5.8	Max Gradeability, laden/unladen	%	8/16	
Electric engine	6.1	Drive motor rating S2 60 min	kW	0.8	
	6.2	Lift motor rating at S3 15%	kW	0.8	
	6.4	Battery voltage, rated capacity	V/Ah	48/20	
	8.1	Type of drive control		DC	
	9.1	Manufacturer		Curtis	

Note: 1). When fork lowered, +56mm

